

( I )  
( GB )  
EL523101

**MANUALE D'INSTALLAZIONE  
CELLE MINI  
CELLE MODULARI  
CELLE AD ANGOLO**

**INSTALLATION MANUAL  
MINI COLD ROOMS  
MODULAR COLD ROOMS  
CORNER COLD ROOMS**

**EINBAUANLEITUNGEN  
MINIZELLEN  
MODULARZELLEN  
ECKZELLEN**

## INDICE

CONTROLLO DELL'APPARECCHIATURA  
AL RICEVIMENTO

POSIZIONAMENTO

MONTAGGIO CELLA  
a) Celle mini - celle modulari;  
b) Celle ad angolo.

MANUTENZIONE ORDINARIA E PROGRAMMATA

ELEMENTARI NORME DI SICUREZZA

PROIBIZIONE DELLA RIMOZIONE DEI RIPARI  
DEI DISPOSITIVI DI SICUREZZA

INDICAZIONI SULLE OPERAZIONI DI  
EMERGENZA IN CASO D'INCENDIO

PULIZIA DELL'APPARECCHIATURA

VERIFICHE PERIODICHE DA ESEGUIRE

PERIODI DI INATTIVITA'

## INDEX

CHECKING THE EQUIPMENT ON ITS  
RECEIPT

POSITIONING

ASSEMBLING THE COLD ROOMS  
a) Mini and Modular Cold Rooms;  
b) Corner Cold Room.

ROUTINE AND SCHEDULED SERVICING

BASIC SAFETY REGULATIONS

BAN ON REMOVAL OF GUARDS AND SAFETY  
DEVICES

EMERGENCY PROCEDURES IN CASE OF  
FIRE

CLEANING THE APPLIANCE

REGULAR CHECKS

PERIOD OF INACTIVITY

## INSTRUCTIONS FOR THE INSTALLATION, OPERATION AND MAINTENANCE OF COLD ROOMS

All our apparatuses must be installed by qualified technical personell authorized by the manufacturer. Before any operation, read the instructions of this handbook with the utmost attention.

### **CHECKING THE EQUIPMENT ON ITS RECEIPT**

We suggest to unpack the equipment immediately after receiving it, so that you can check wheather the appliance is integral and free from transport damages.

In case of eventual damages, although detected only during the installation, inform the carrier immediately.

However, never send any damaged appliance back to the manufacturer without any notice and before receiving his previous authorization in writing.

### **POSITIONING**

Install the cold room far from heat sources and in a position which can guarantee a good air circulation, to avoid condensate on its external walls.

### **ASSEMBLING THE COLD ROOMS**

1) Arrange the panels of the room floor in the desired position taking care to lay them perfectly on a flat and level surface.

#### *Mini & Modular Cold Rooms*

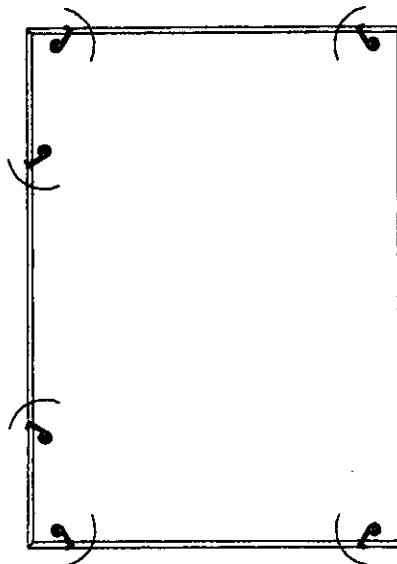
- 2) Join the floor panels together with some hooks without clamping firmly;
- 3) Now assemble the vertical panels starting from the side, in the case of mini rooms, and from the angle, in the case of modular rooms;
- 4) Go on assembling the other vertical panels (see the diagrams at the pages 3 & 4);
- 5) In the cold rooms of two, or more temperatures, the partitions numbered 6-9 must be mounted before the T-shaped perimeter panels numbered 7-10, according to the assembly sequence;
- 6) Insert the ceiling panels from inside the cold room;
- 7) Clamp all the hooks according to the locking direction (see the fig. 1).

#### *Corner Cold Room*

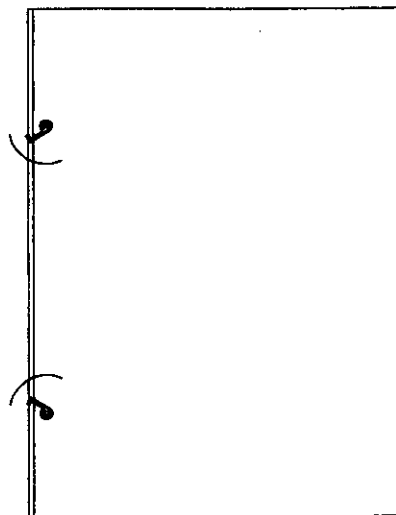
- 2) Assemble the vertical panels starting from the right side;
- 3) Go on assembling the other vertical panels (see the diagram of page 4);
- 4) Insert the ceiling panel (7) from inside the cold room;
- 5) Clamp all the hooks according to the locking direction (see the fig.1).

FIG.1

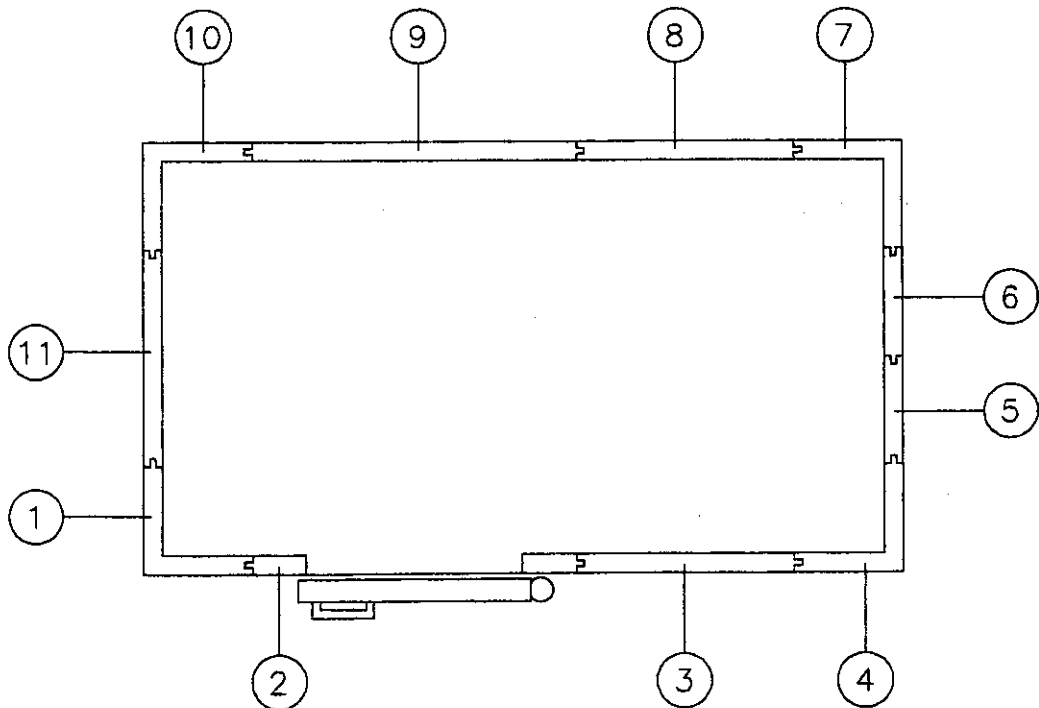
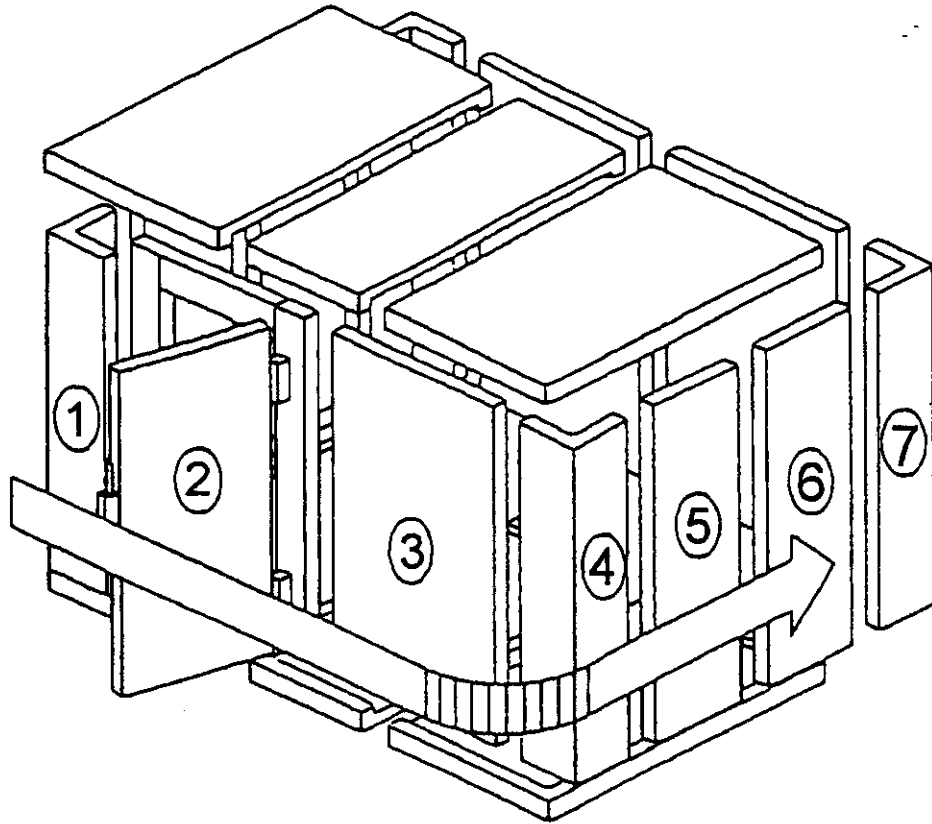
VERTICAL PANEL SEEN FROM INSIDE THE COLD ROOM



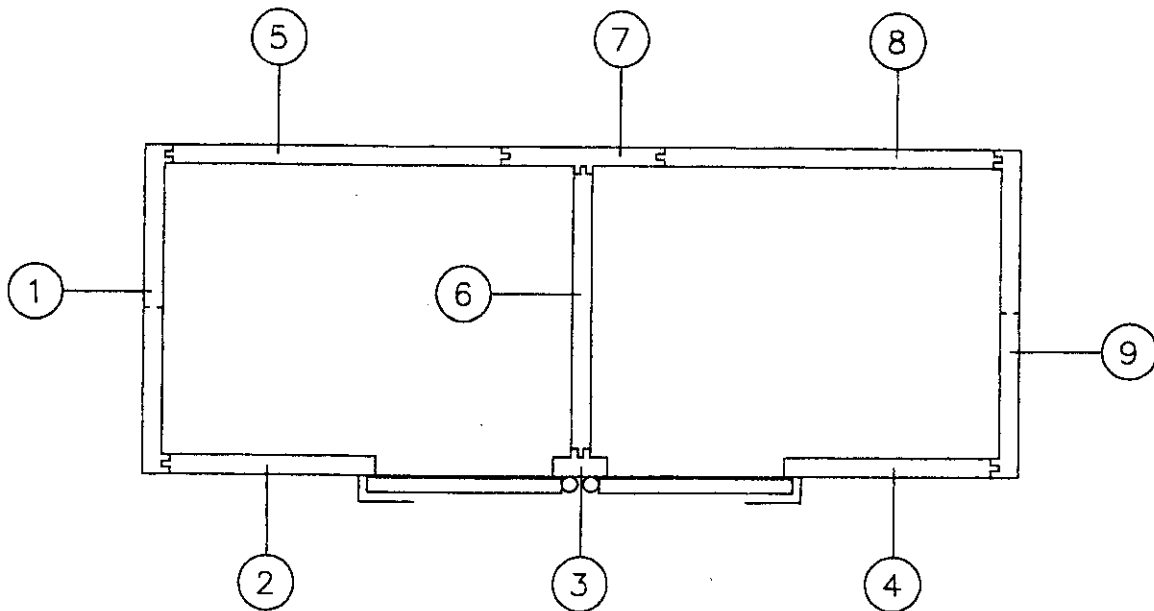
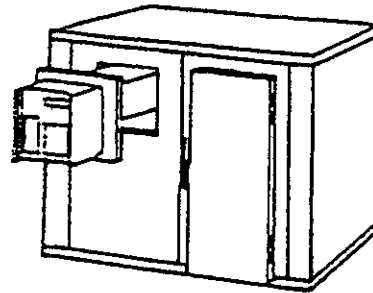
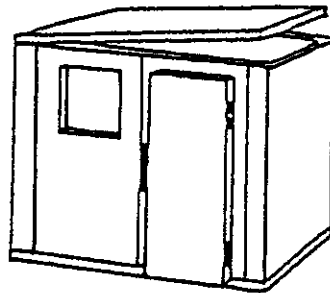
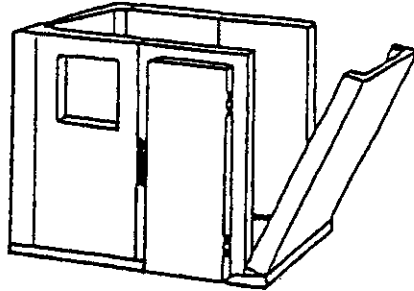
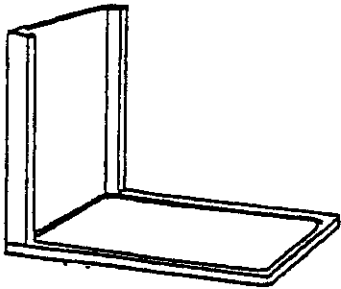
FLOOR OR CEILING PANEL FO MODULAR ROOMS SEEN FROM INSIDE THE ROOM



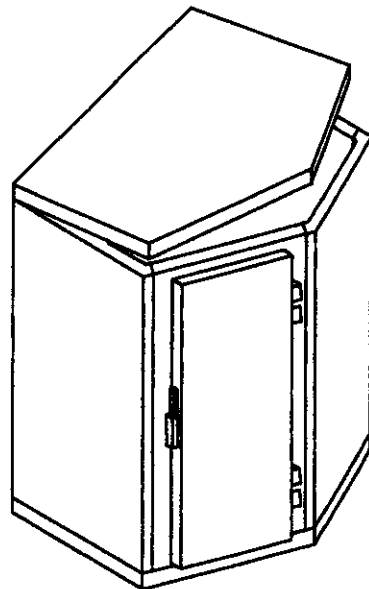
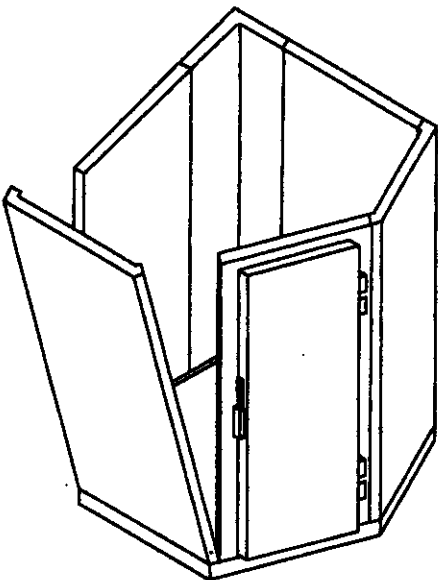
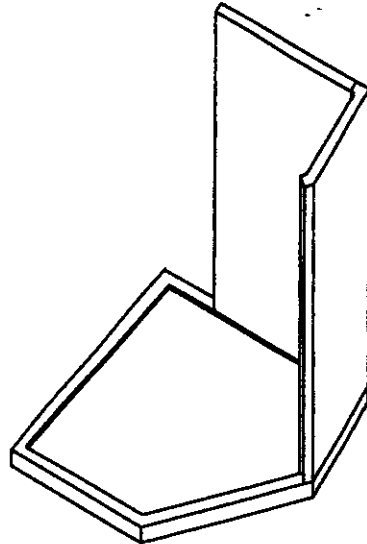
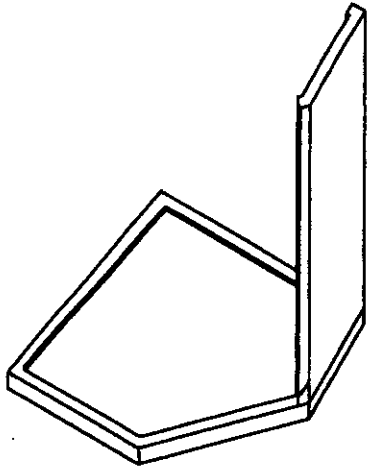
ASSEMBLY DIAGRAM FOR MODULAR COLD ROOMS



# ASSEMBLY DIAGRAM FOR MINI COLD ROOMS



ASSEMBLY DIAGRAM FOR CORNER COLD ROOMS



## **ROUTINE AND SCHEDULED SERVICING**

The information in this section is intended for personnel without special skills who are however trained; extraordinary and/or scheduled servicing must be carried out by skilled staff.

### **BASIC SAFETY REGULATIONS**

Before doing any work on the appliance, always disconnect it from the power supply socket.

### **BAN ON REMOVAL OF GUARDS AND SAFETY DEVICES**

No guards/safety devices (grilles, stickers etc.) must be removed for routine servicing.

### **EMERGENCY PROCEDURES IN CASE OF FIRE**

In case of fire never use water. Obtain a CO<sub>2</sub> (carbon dioxide) fire extinguisher and cool the motor compartment as quickly as possible.

### **CLEANING THE APPLIANCE**

Before any cleaning procedures, disconnect the appliance from the power supply.

Clean the outside of the appliance thoroughly with a damp cloth, working in the direction of the satin finishing. Use neutral detergents and not chlorine-based and/or abrasive substances.

Do not use utensils such as wire pads which may cause scratches, leading to rust. Rinse with clean water and dry thoroughly.

Wash the whole room, the shelves, the hooks, etc.. With soapy lukewarm water. Do not use detergents containing abrasive substances, nor steel-wool nor brushes of common steel. Eliminate eventual rusty stains provoked by foreign matters with very hot water and liquid detergent, then rinse carefully with pure water.

### **VERIFICHE PERIODICHE DA ESEGUIRE**

- Check that the plug is fitted securely into the power supply socket;
- Check that the appliance is not subject to the effects of a heat source;
- Check that the condensing battery is not obstructed with dust; if so, call the after-sales service.

### **PERIODS OF INACTIVITY**

When the equipment must not operate for long periods:

- Disconnect the plugg;
- Remove all the foods from the cold room;
- Wash the whole room and its accesories carefully;
- Leave the doors ajar.